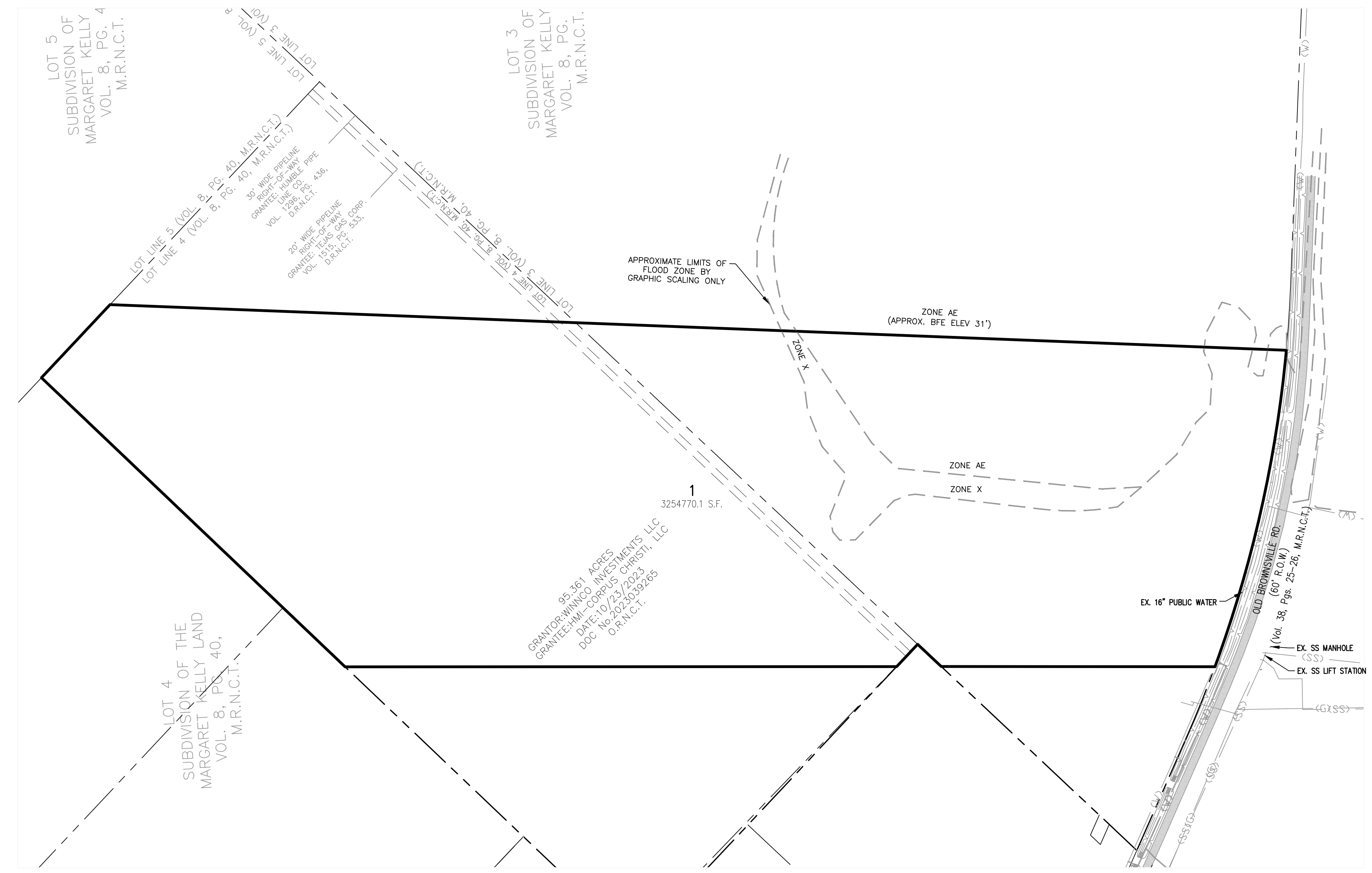
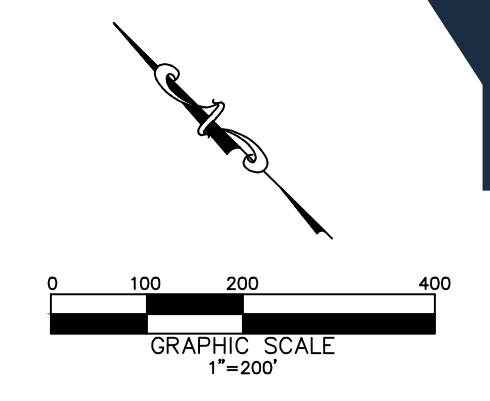




LOCATION MAP  
SCALE: 1" = 2,000'

**LEGEND**

EX	EXISTING
SS	SANITARY SEWER
MH	MANHOLE
PVC	POLYVINYL CHLORIDE PIPE
DI	DUCTILE IRON
RCP	REINFORCED CONCRETE PIPE
— OHL —	EX. OVERHEAD LINE
— W —	EX. WATER LINE
— SS —	EX. SANITARY SEWER LINE



UTILITY PLAN EXHIBIT  
FOR  
HAKUNA MATATA PARK  
LOT 1, BLOCK 1