

# COMMUNITY COLUMN



A 2.5 x 2.5 x 10 foot  
welded aluminum  
sculpture. Designed  
by Jack Gron  
and executed with  
cast aluminum tiles from  
a community art event.

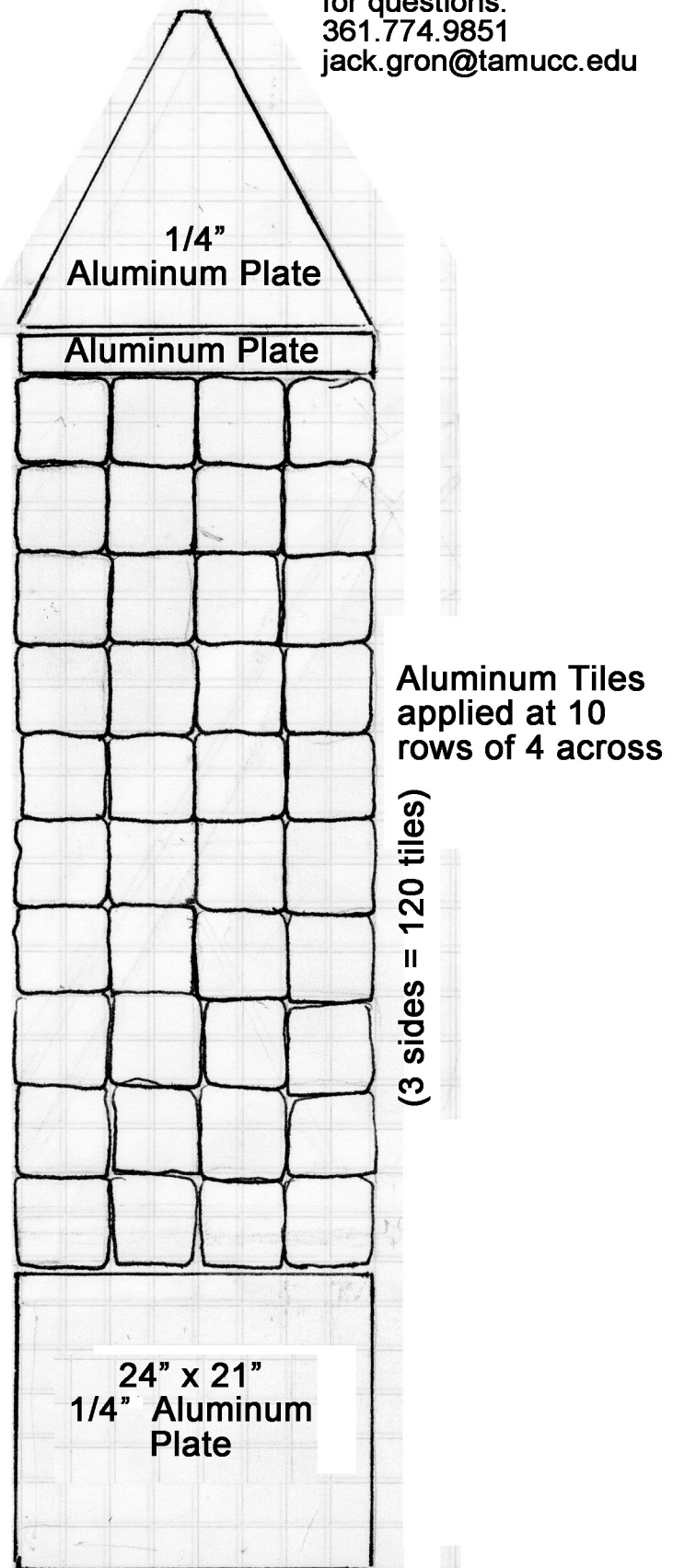
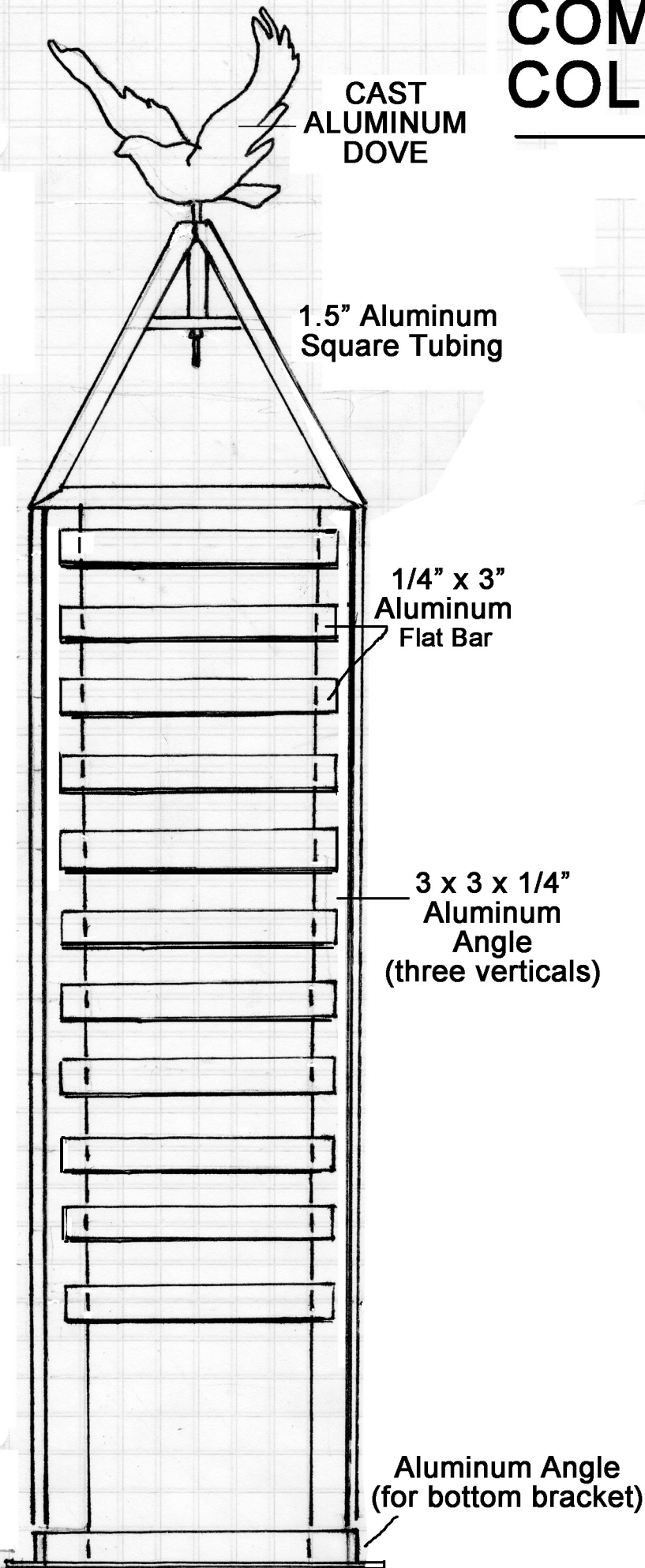
# COMMUNITY COLUMN

6061 Aluminum Alloy on all with joints fully welded

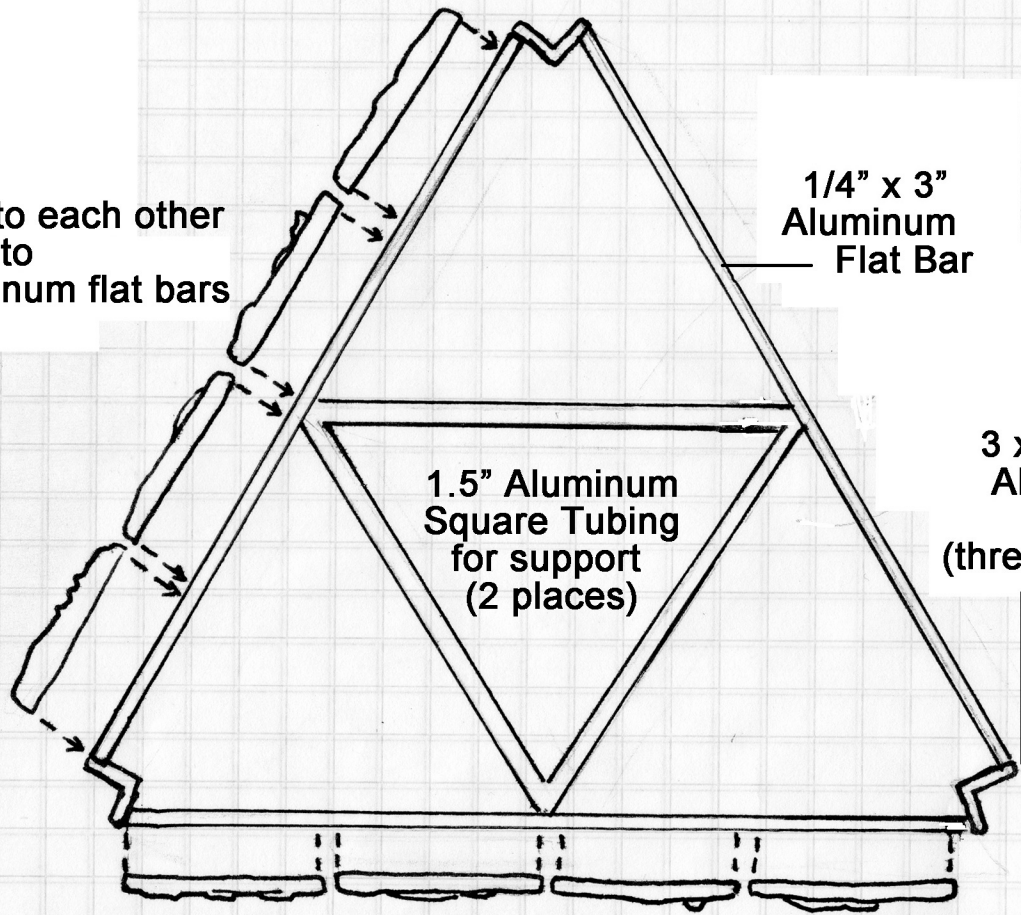
CAST ALUMINUM DOVE

by Jack Gron

for questions:  
361.774.9851  
jack.gron@tamucc.edu



Tiles welded to each other  
and to  
horizontal aluminum flat bars

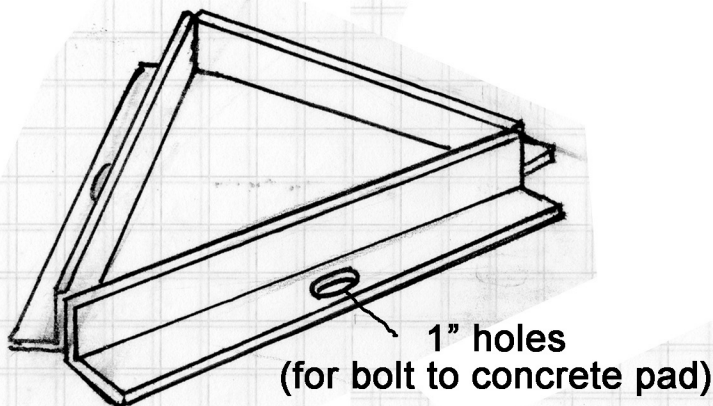


1/4" x 3"  
Aluminum  
Flat Bar

1.5" Aluminum  
Square Tubing  
for support  
(2 places)

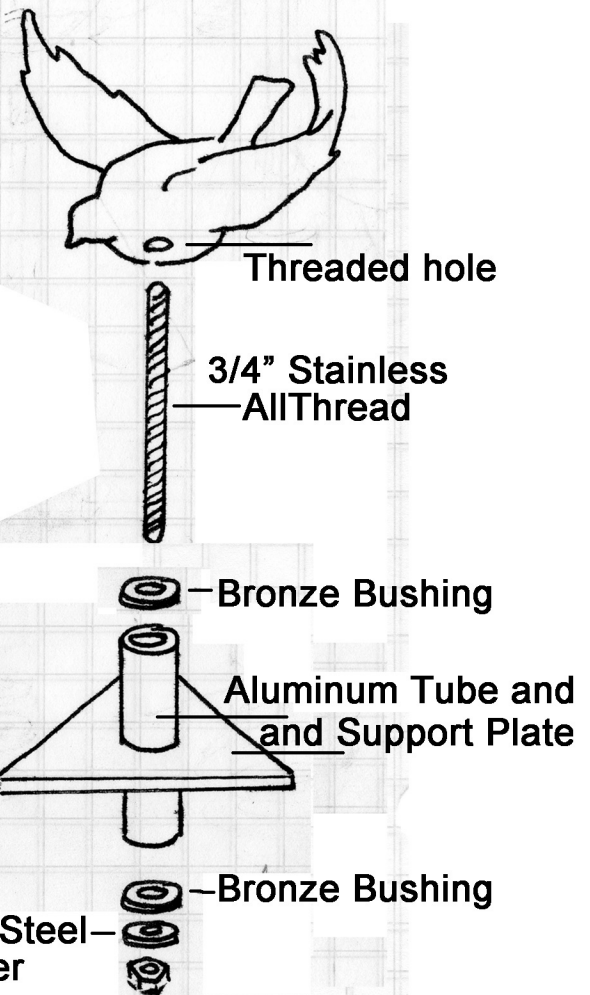
3 x 3 x 1/4"  
Aluminum  
Angle  
(three verticals)

TOP VIEW



1" holes  
(for bolt to concrete pad)

ALUMINUM WELDED  
BOTTOM BRACKET



Threaded hole

3/4" Stainless  
AllThread

Bronze Bushing

Aluminum Tube and  
Support Plate

Bronze Bushing

Stainless Steel  
Washer