

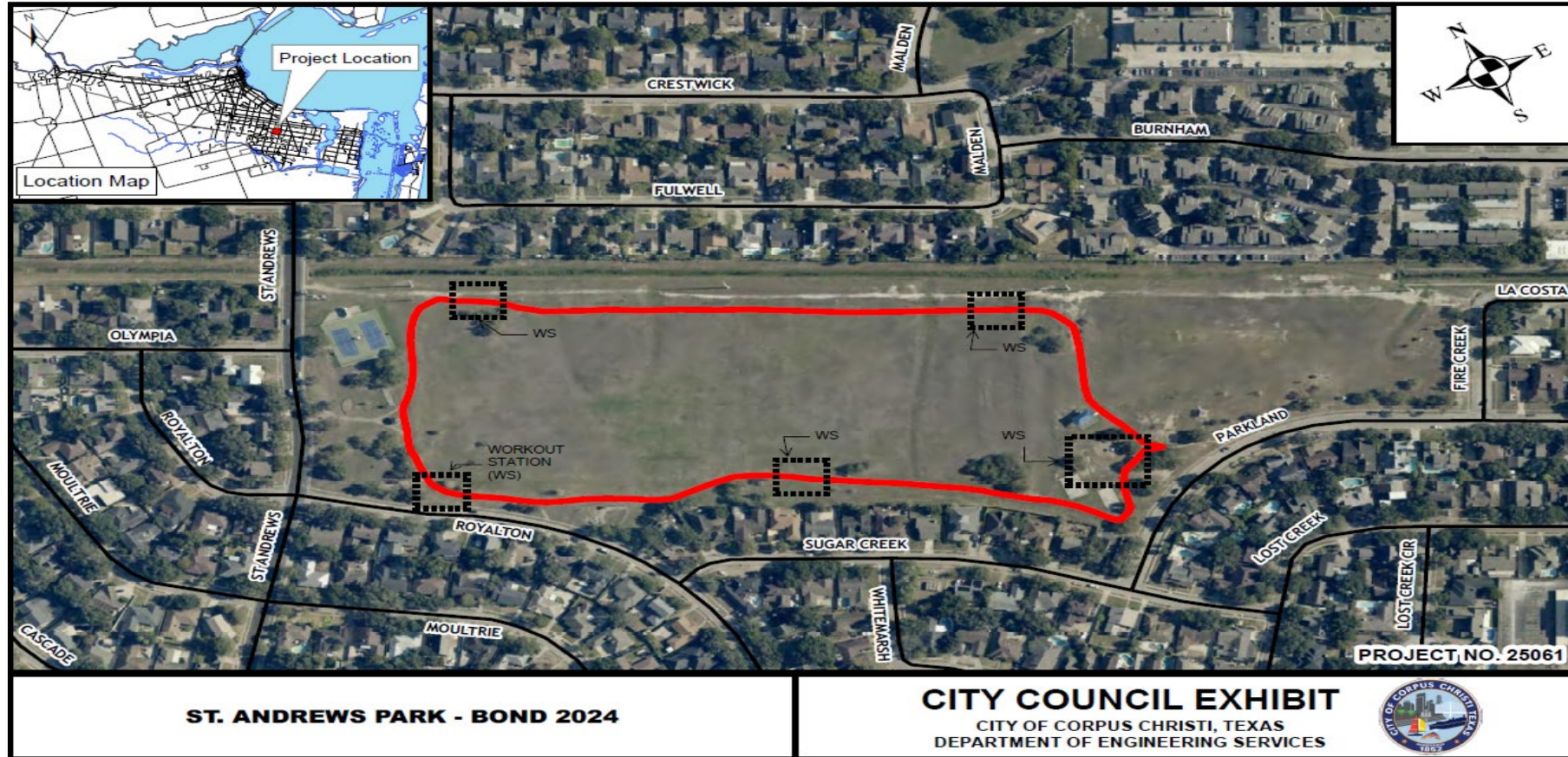


St. Andrews Park (Bond 2024, Prop B)

Council Presentation: May 05, 2026

St. Andrews Park (Bond 2024, Prop B)

Project Location



St. Andrews Park (Bond 2024, Prop B)

Scope of Work

Motion awarding a contract to APD Construction, LLC, of Corpus Christi, TX for the construction of the St. Andrews Park walking trail project, located in Council District 3, in an amount of \$894,980.00.

The proposed scope of work includes the below items:

- A 3,830-ft long, 7-ft wide concrete walking trail loop
- Five (5) workout stations featuring resistance training equipment
- Resurfacing an existing playground area
- Installation of stormwater pipe to drain the standing water during rain events



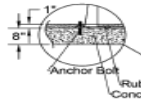
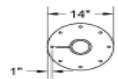
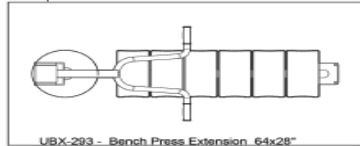
St. Andrews Park (Bond 2024, Prop B)

Scope of Work

Bench Press

- When pouring a single pad for multiple units, use concrete thickness 6"
- When pouring standalone pads, concrete thickness minimum 8"

CONCRETE PAD 42"x74"x8"

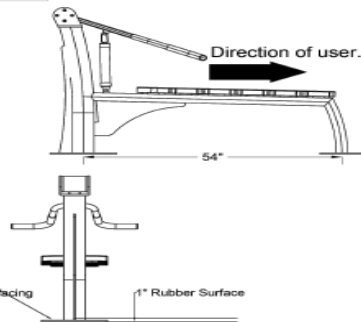


Anchor Bolt

Rubber Surfacing Concrete



Questions? Please call 888-315-9037 x105



During installation, please be sure to also refer to the general installation instructions for surface mount. Epoxy is not included in shipment and must be provided by installer.

EQUIPMENT DETAILS - A

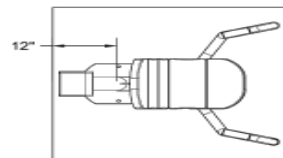
Scale: N.T.S

Installation Instructions:

UBX208 Butterfly

- When pouring a single pad for multiple units, use concrete thickness 6"
- When pouring standalone pads, concrete thickness minimum 8"

Concrete Pad 48"x48"x8"



Anchor Bolts

Rubber Surfacing Concrete



Questions? Please call 888-315-9037 x105

Direction of user.



During installation, please be sure to also refer to the general installation instructions for surface mount. Epoxy is not included in shipment and must be provided by installer.



St. Andrews Park (Bond 2024, Prop B)

Scope of Work

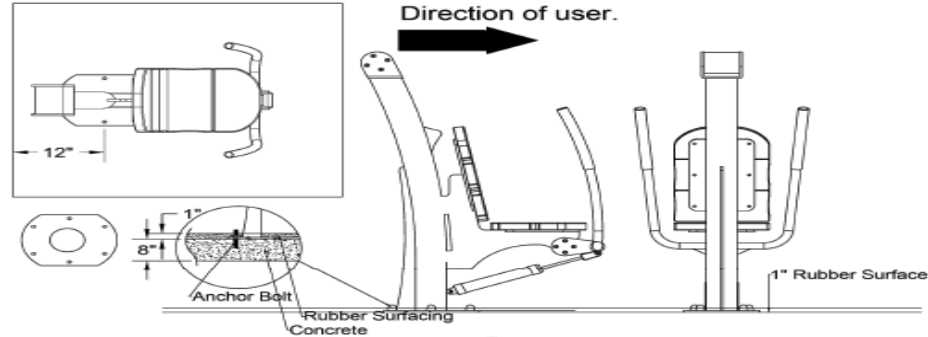
UBX246
Chest Press (adjustable resistance)



Questions? Please call 888-315-9037 x105

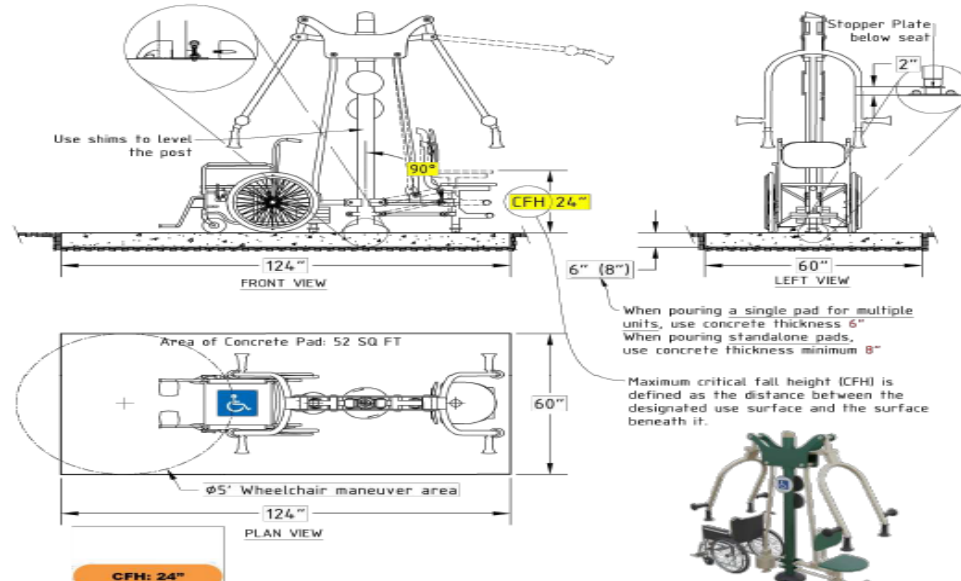
- When pouring a single pad for multiple units, use concrete thickness 6"
- When pouring standalone pads, concrete thickness minimum 8"

CONCRETE PAD 48"x48"x8"



During installation, please be sure to also refer to the general installation instructions for surface mount. Epoxy is not included in shipment and must be provided by installer.

Installation Instructions for the Surface Mounting Method:
SGR048AW 2-Person Accessible Chest Press
This unit ships in 1 separately wrapped component.



When pouring a single pad for multiple units, use concrete thickness 6"
When pouring standalone pads, use concrete thickness minimum 8"
Maximum critical fall height (CFH) is defined as the distance between the designated use surface and the surface beneath it.

During installation, please be sure to also refer to the general installation instructions for surface mount. Epoxy is not included in shipment and must be provided by installer.

IN ORDER TO HONOR OUR COMMITMENT TO QUALITY AND SAFETY, GREENFIELDS OUTDOOR FITNESS RESERVES THE RIGHT TO MAKE CHANGES AND REVISE THE DESIGN SPECIFICATIONS WITHOUT NOTICE.

Greenfields 2-Person Accessible Chest Press	
SGR048AW	
T: (888) 315-9037	F: (866) 308-9719

Page 1

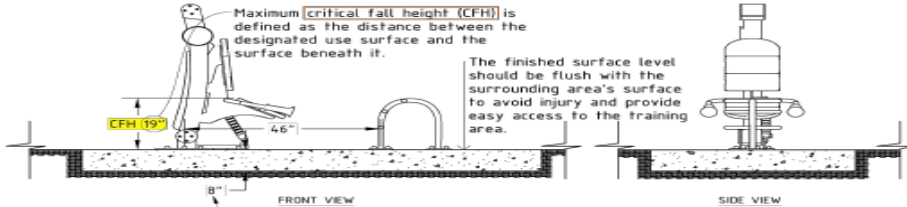


St. Andrews Park (Bond 2024, Prop B)

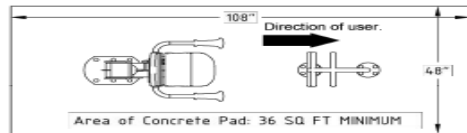
Scope of Work

Installation Instructions for the Surface Mounting Method: UBX215 Leg Press (adjustable resistance)

This unit ships in 2 separately wrapped components.



When pouring a single pad for multiple units, use concrete thickness 6"
When pouring standalone pads, use concrete thickness minimum 8"



TOP VIEW



During installation, please be sure to also refer to the general installation instructions for surface mount. Epoxy is **not** included in shipment and must be provided by installer.



Greenfields Outdoor Fitness	
™ Leg Press (adjustable resistance)	
Model No. UBX215	
T: (888) 315-9037	F: (866) 308-9719
<small>© 2024 Greenfields Outdoor Fitness, Inc.</small>	

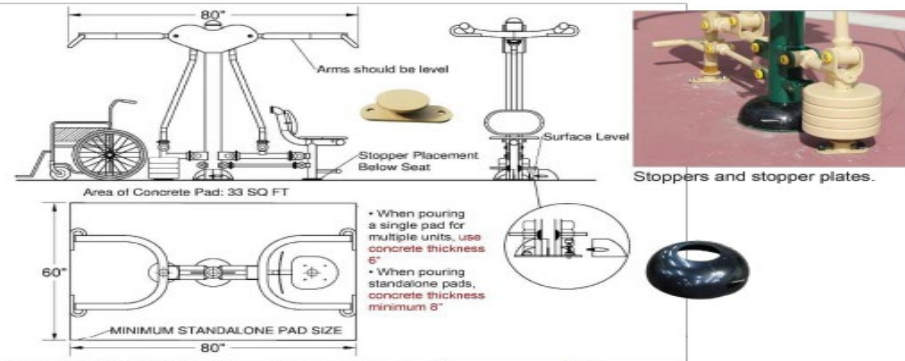
Installation Instructions: SGR048W

2-Person Accessible Lat Pull

This item ships as one fully assembled unit.



Questions? Please call 888-315-9037 x105



During installation, please be sure to also refer to the general installation instructions for surface mount. Epoxy is **not** included in shipment and must be provided by installer.



St. Andrews Park (Bond 2024, Prop B)

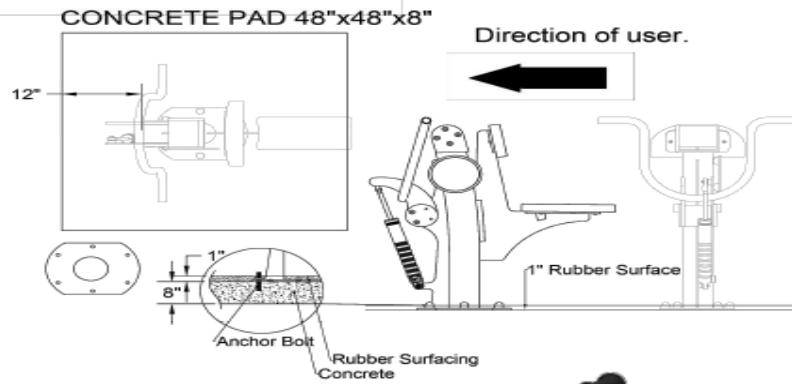
Scope of Work

Rower



Questions? Please call 888-315-9037 x105

- When pouring a single pad for multiple units, use concrete thickness 6"
- When pouring standalone pads, concrete thickness minimum 8"



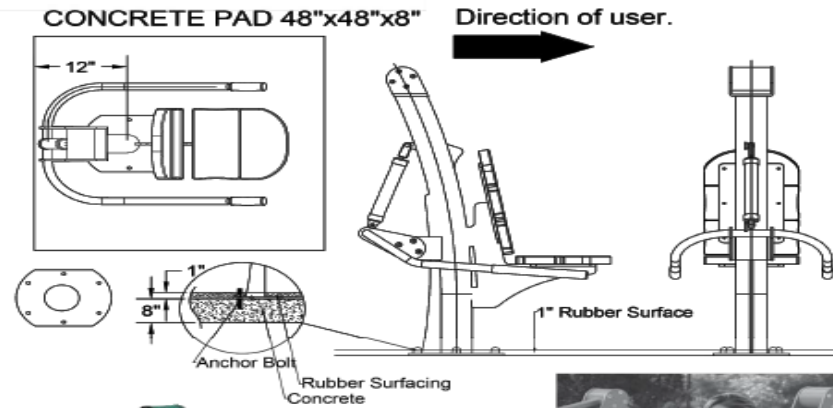
During installation, please be sure to also refer to the general installation instructions for surface mount. Epoxy is not included in shipment and must be provided by installer.

Triceps Press



Questions? Please call 888-315-9037 x105

- When pouring a single pad for multiple units, use concrete thickness 6"
- When pouring standalone pads, concrete thickness minimum 8"



During installation, please be sure to also refer to the general installation instructions for surface mount. Epoxy is not included in shipment and must be provided by installer.



St. Andrews Park (Bond 2024, Prop B)

Scope of Work

2-Person Accessible Vertical Press



This unit ships in 1 separately wrapped component.

Questions? Please call 888-315-9037 x105

Area of Concrete Pad: 33 SQ FT

2" Stopper Plate Below Seat and weight

Stoppers and stopper plates.

• When pouring a single pad for multiple units, use concrete thickness 6"
• When pouring standalone pads, concrete thickness minimum 8"

60"
80"
MINIMUM STANDALONE PAD SIZE

Finished product

During installation, please be sure to also refer to the general installation instructions for surface mount. Epoxy is not included in shipment and must be provided by installer.



St. Andrews Park (Bond 2024, Prop B)

Project Schedule

2025-2026	2026	2026
April - January	February - May	June - September
Design	Bid/Award	Construction

Projected Schedule reflects City Council award in May 2026, with anticipated construction completion by September 2026.





Thank you!